

LIFTING EYE NUT



THREADED ROD (8mm)



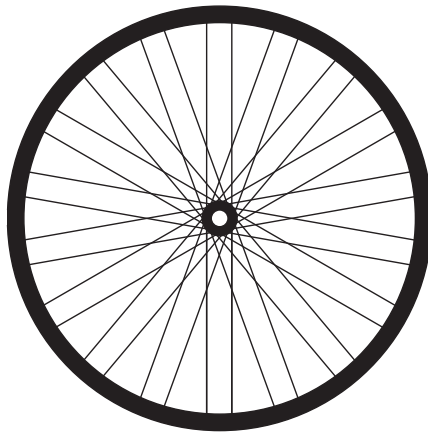
STEEL TUBE (10mm)



WASHER



BICYCLE WHEEL (BROKEN)



WASHER



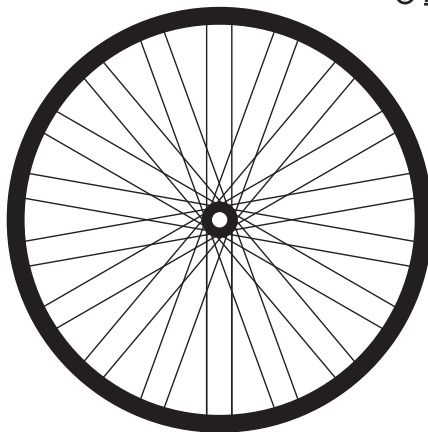
STEEL TUBE (10mm)



WASHER



BICYCLE WHEEL (BROKEN)



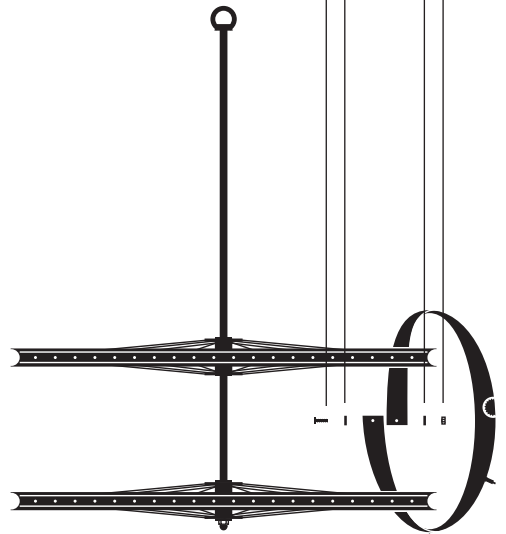
WASHER



CAP NUT



›BERLIN BIKE LAMP‹  
SHADE



SCREW  
WASHER

WASHER  
NUT

IDEA, CONCEPT AND DESIGN  
BY OLLI MEIER.

FEEL FREE TO BUILD IT BY YOURSELF,  
TO SHARE IT OR TO COPIE THE PAPER  
FOR PRIVATE USE.

© NOT FOR COMMERCIAL PURPOSES!!!

BICYCLE INNER TUBE (BROKEN)